



**GIRBAU**  
INDUSTRIAL™

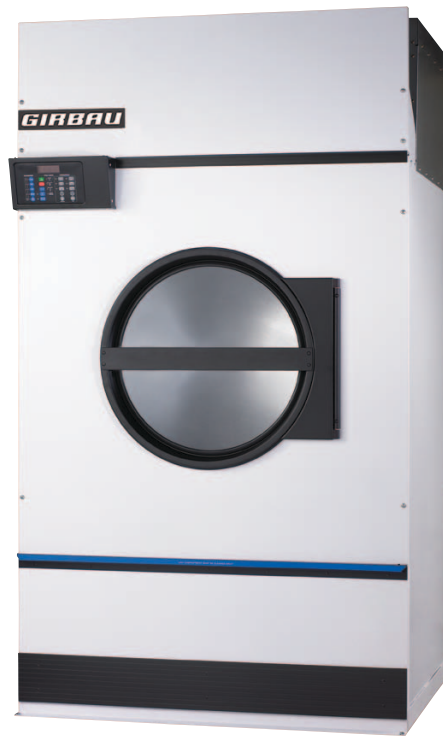
GT-170  
**DRYING TUMBLERS**

Drying tumblers engineered for efficiency, programmability and ease of use.

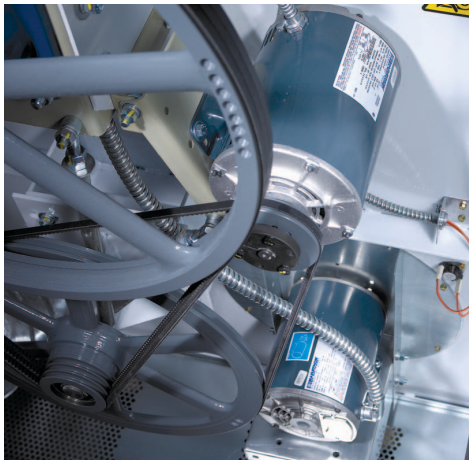


HIGH PERFORMANCE DRYING TUMBLERS  
PRODUCTIVE AND EFFICIENT DRYING

# GT-170



The Girbau GT-170 Drying Tumbler is designed with quality components, easy-to-use programmable microprocessor controls and a multitude of features that dramatically increase laundry production and energy-efficiency. Properly balanced airflow, heat input and basket volume allows maximum production when matched with Girbau Washer-Extractors.



## **DURABILITY UNMATCHED**

Durability characterizes the GT-170. The tumblers feature rugged cylinders; dual motors with overload protection; steel front, side and top panels coated inside and out with electrostatically applied, baked-on paint for superior bonding and corrosion resistance; an all-belt drive system with cast iron pulleys and permanently sealed bearings for quiet, low-maintenance operation; and durable kick-plates and cart bumpers to protect tumblers from nicks and scrapes. No wonder GT-170 Tumblers are backed by an industry-leading factory warranty!

## **ERGONOMIC AND EASY TO MAINTAIN**

Ergonomic and easy to maintain, GT-170 dryers feature self-cleaning lint screens that support maximum airflow. Further contributing to ease of maintenance are conveniently accessible components and an automatic backdraft damper to prevent outside air from entering the laundry room. Because ergonomics matter, the tumblers feature oversized steel doors with reinforced metal door bars and hinges—simplifying loading and unloading and protecting the tumbler from outside impacts!



## **HEIGHTENED ENERGY-EFFICIENCY**

Several key features contribute to heightened energy-efficiency on GT-170 tumblers, including instant electronic ignition; a modular electrical system for added reliability and easy servicing; and a multiple burner heat system to efficiently and quickly reach desired temperatures. The GT-170 delivers quick drying thanks to carefully balanced heat energy input and airflow. Perfectly balanced airflow prevents extra wear on fabrics and cuts drying time. The enclosed heat system captures intake air and preheats it before entering the tumbler—reducing energy costs without increasing drying time.

### HIGHLY PROGRAMMABLE CONTROL

GT-170 Dryers feature a simple to use yet highly advanced control to make laundries more productive. Equipped with a multitude of features, the control offers four time-dry or auto-dry cycles and a no-heat cycle—making for simple operation. An auto-dry feature reduces over drying and the resulting risk of fire by automatically cooling the load once the predetermined dryness level is reached. An anti-wrinkle feature reduces the occurrence of wrinkles by initiating an unheated airflow and tumble action after the end-of-cycle signal.

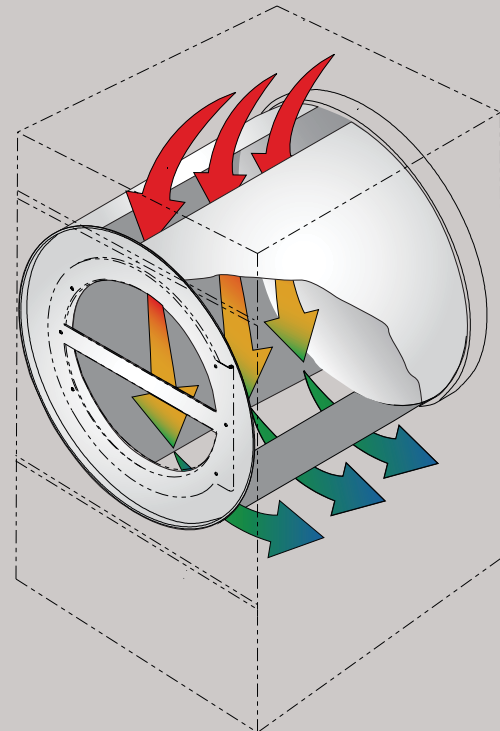
### ISS FIRE SENSING AND EXTINGUISHING

Girbau Industrial understands the importance of safety. That's why we've equipped GT-170 Dryers with an optional Integrated Sprinkler System (ISS), a sensing and extinguishing device that squelches dryer fires before they get out of control. ISS ensures laundries are better protected from the hazards and damage caused by dryer fires. ISS is always active—even after a load is complete—offering laundries added protection when a laundry is unattended. If ISS sensors detect a fire inside the dryer drum, the drum rotates and distributes water vapor—saturating laundry and extinguishing the fire. ISS continues to monitor the condition of the dryer and restarts if fire is again detected.



### RADIAL AIRFLOW DESIGN

GT-170 Drying Tumblers are designed with radial airflow—a system that captures heated intake air and distributes it evenly throughout the cylinder. Radial airflow ensures maximum load separation for big loads and bulky items and utilizes the tumbler's complete capacity for quick, even drying. As heated air is released from the top of the basket, linens, which are rotated from the bottom to the top, fall and separate throughout the entire cylinder. Simultaneously, heated air is pushed through and around the load—eliminating hot spots and expediting the drying process.



MODEL		GT-170
Capacity	lbs (kg)	up to 175 (70)
Cylinder Diameter	inch (mm)	50.75 (1289)
Cylinder Depth	inch (mm)	42.5 (1080)
Cylinder Volume	cu. ft (mm)	49.7 (1.41)
Net Weight	Gas	1575 (716)
	Steam	1675 (761)
Crated Weight	Gas	1667 (756)
	Steam	1776 (806)
Machine Width	inch (mm)	53.12 (1349)
Machine Depth	inch (mm)	68.85 (1749)
Machine Height	inch (mm)	94 (2388)
Door Opening	inch (mm)	26.89 (683)
Floor to Door	inch (mm)	33.86 (860)
Shipping Dimensions (WxDxH)	inch (mm)	58 x 74.5 x 99 (1473 x 1892 x 2515)
Motor Power (Reversing)	Cylinder	HP (kW)
	Fan	HP (kW)
Exhaust Diameter	inch (mm)	10 (254)
Exhaust Air Flow	cfm (l/s)	2450 (1156)
Gas Connection	inch	1 N.P.T.
Gas Heating	BTU/h	395,000
	(Kcal/h)	(99,500)
Steam Connection	inch	3/4 N.P.T.
Steam Heating at 100 PSI (6.9 bar)	BTU/h	648,000 (189.7)
	(kW)	433,000 (126.9)
BHP Consumption at 100 PSI (6.9 bar)	BHP	18.8
	BHP	12.6
Available Voltages	208-230/60/3	13.5
	440/60/3	6.4
	460-480/60/3	6.7
	380/400-415/50/3	6.9
	Amp	

\* Product specifications are subject to change without notice. For the most current and complete product specifications and warranty information please contact Girbau Industrial or visit [www.girbauindustrial.com](http://www.girbauindustrial.com).



#### ENVIRONMENTALLY FRIENDLY

Girbau S.A. laundry products meet rigorous environmental and safety standards established by the International Organization for Standardization (ISO). With the utmost concern for the environment, GT-170 Drying Tumblers were designed to conserve the earth's natural resources. Several key features contribute to heightened energy-efficiency including instant electronic ignition, a modular electrical system and a multiple burner heat system.

Ever focused on laundry efficiency, Continental Girbau, the North American subsidiary of Girbau S.A., is a member of the U.S. Green Building Council (USGB), a 501(c)(3) nonprofit that developed the Leadership in Energy and Environmental Design (LEED) Green Building Rating System.

DISTRIBUTED BY:



[www.girbauindustrial.com](http://www.girbauindustrial.com) • 800-256-1073  
2500 State Road 44 • Oshkosh, WI 54904 • 920-231-8222 • Fax 920-231-4666