



CMV SHARPER FINISH

"The Ironer People"



HIGH CAPACITY IRONERS MODELS 3000 and 3600

"Some of over 100 model ironers we manufacture."

MODELS 3000 and 3600 Flatwork Ironers

The **CMV Sharper Finish Model 3000** uses a full 30" (762mm) heated roll. The **Model 3600** uses a 36" (914mm) diameter heated roll. Both have oversized pressure rolls to produce outstanding quantity and exceptional quality of ironed flatwork.



The **Model 3000** provides 3,600 square inches (23,226 sq. cm) of heated ironing surface. The **Model 3600** has 4,320 square inches (27,864 sq. cm) of heated ironing surface.

Available gas or steam heated to meet your particular requirements. The most comprehensive safety and convenient features are standard equipment on both models.

The latest state of the art inverter drive provides totally variable speed throughout the entire speed range plus provides dynamic braking as an added safety feature.

Silent induced draft burners provide just the right amount of heat to properly dry and beautifully iron your flatwork but are not oversized to waste precious energy and money. Ignition of this burner is provided by direct spark in partnership with burner far-end flame sensor and ignition control module to insure safe and reliable operation.

INTELATROL® AUTOMATIC MONITORING SYSTEMS

We all need to be reminded of things from time to time. Have you ever forgotten to lock a door or turn off a light? Well, your laundry operator could forget to turn off the heat to your ironer, wasting energy and creating a hazard. They cannot forget if they have a CMV Sharper Finish ironer equipped with the Intelatrol.

The Intelatrol will shut off the heat after twenty minutes if the machine is left unattended. A red light will indicate that the Intelatrol deactivated the system, thus saving energy, eliminating a potential hazard, and greatly increasing

the life of your ironer ribbons, padding and covers.

When the operator returns and pushes a switch to reset the Intelatrol, the heating system will be activated, and when ready to operate, a green light will indicate the CMV Sharper Finish is ready to begin ironing.

Intelatrol II deactivates the drive system and the ironer stops. Intelatrol II is an automatic ironer shut off system which is standard on models 3000 and 3600. Intelatrol is only available on CMV ironers.

MODEL 3000

PRODUCTION DATA

FRONT FEED REAR DELIVERY ^④
WITH 4 OPERATORS
OR 3 OPERATORS AND
AUTOMATIC FOLDER

MAXIMUM THEORETICAL CAPACITY		835 pounds (379 kg) per hour of ironed flatwork	
AVERAGE CAPACITY – Sheets per hour		400	
INSTITUTIONAL FLATWORK – Pounds per hour ^{① ②} (Kg)		400	(181)
MAXIMUM NUMBER OF HOTEL ROOMS FOR WHICH FLATWORK CAN BE PROCESSED ^③			
5 days (40 hours) per week		335	
6 days (48 hours) per week		400	
7 days (56 hours) per week		465	

MODEL 3600

PRODUCTION DATA

FRONT FEED REAR DELIVERY ^④
WITH 4 OPERATORS
OR 3 OPERATORS AND
AUTOMATIC FOLDER

MAXIMUM THEORETICAL CAPACITY		1000 pounds (454 kg) per hour of ironed flatwork	
AVERAGE CAPACITY – Sheets per hour		480	
INSTITUTIONAL FLATWORK – Pounds per hour ^{① ②} (Kg)		480	(217)
MAXIMUM NUMBER OF HOTEL ROOMS FOR WHICH FLATWORK CAN BE PROCESSED ^③			
5 days (40 hours) per week		400	
6 days (48 hours) per week		480	
7 days (56 hours) per week		575	

Production capacity of a well designed and manufactured flatwork ironer is governed by many factors, which in most cases are beyond the control of the machine manufacturer. Only years of experience in the manufacturing of this type of machinery and extensive actual hands on working knowledge enables us at **CMV Sharper Finish** to provide you with realistic, obtainable production data.

In preparing these production figures, we have had to assume that certain conditions exist that are consistent with a well-managed on premise laundry.

Our assumptions are as follows:

1. Flatwork to be processed is blended materials containing 50% synthetic and 50% natural fibers.
2. Moisture content of work to be processed will not exceed 25% and residual moisture content will not exceed 4%.
3. Estimated capabilities based on 120" (3048 mm) machine.

NOTES:

^①Pounds of institutional flatwork per hour is based on 65% large items such as sheets and 35% medium and small items such as tablecloths, napkins and pillowcases.

^②An efficiency rate of 65% is applied to large items, such as sheets, and 35% to medium and small items such as tablecloths, napkins and pillowcases.

^③Predicated on total average linen usage of 11 lbs. per hotel/motel room per day.

^④Additional production and reduced labor costs can be achieved by use of automatic folding equipment.

MODELS 3000 and 3600 FLATWORK IRONERS

SPECIFICATIONS

Heated Roll: Full 30" (762mm) diameter steel heated cylinder on **Model 3000** and 36" (914mm) diameter steel cylinder on **Model 3600**. The cylinder is accurately machined, ground and polished to a mirror-like finish. 120" (3,048mm) width to enable all standard flatwork items to be ironed. Cylinder is heated internally by gas or steam.

Gas heated model may be heated by most types of gas. Steam heated model uses high-pressure steam of 100-150 P.S.I. (6.6-10 Bar).

Heating: Gas heated model equipped with full-length multi-port burner for maximum efficiency and even heat distribution. Heat is controlled by accurate snap action thermostat.

Thermostat not required on steam heated models as heat is controlled by steam pressure provided by another source. Steam pressure gauge is standard equipment.

Automatic Heat and Energy Saver: Intelatrol II is standard equipment on gas heated model. In the event no work is processed for a period of 20 minutes, the gas is automatically turned off. This saves energy and also reduces wear to covers, padding and other textiles. Should the machine be unattended for an additional 20 minutes the entire machine shuts down.

Pressure Rolls: Two oversize padded pressure rolls automatically apply the correct pressure to work being processed to produce an excellent finish on all types of normal flatwork.

Pressure Roll Padding and Covers: Pressure rolls are covered with heavy-duty heat resistant nomex padding and covers for long life and quality ironing.

Additional Ironing and Drying Capacity: Ironed work leaving the padded pressure rolls is automatically transferred to a series of heat resistant conveyor ribbons that hold the work in contact with the heated cylinder to provide additional drying, stretching, and increased production. A full 300° of the heated cylinder is utilized in the ironing and drying process.

Ironed Work Removed at Front or Rear: Ironed flatwork is automatically transferred to the delivery conveyor, which, simply by moving a switch (or the Simple Life Delivery System), will deliver the work either to the rear of the machine, or to the front. This extreme flexibility is very useful in coping with various production requirements.

Totally Variable Speed: Totally variable speed of 20-100 feet per minute (6.1-30.5 m/min.) on **Model 3000** and 25-120 feet per minute (7.6-36.5 m/min.) on **Model 3600** is achieved through the use of the latest state of the art inverter drive. Dynamic braking assures quick, smooth stopping.

Drive System: Energy efficient drive motor coupled to oversize gear reduction unit by double "V" belts provides the initial driving power. Heavy-duty roller chains power the pressure rolls and conveyors.

Electrical Controls: All control circuits operate at 24 volts to provide maximum safety. Each motor is equipped with individual magnetic starter with overload protection and is individually fused.

Ventilation System: Ventilating canopies extend the full width of the ironing surface and are connected to two powerful motor/blower units. Heat and moisture, generated by the ironing process, is removed and exhausted to the atmosphere. Heat from the inside of each end frame is also removed resulting in a cooler, more comfortable working area.

Safety Features: The following safety features are standard equipment:

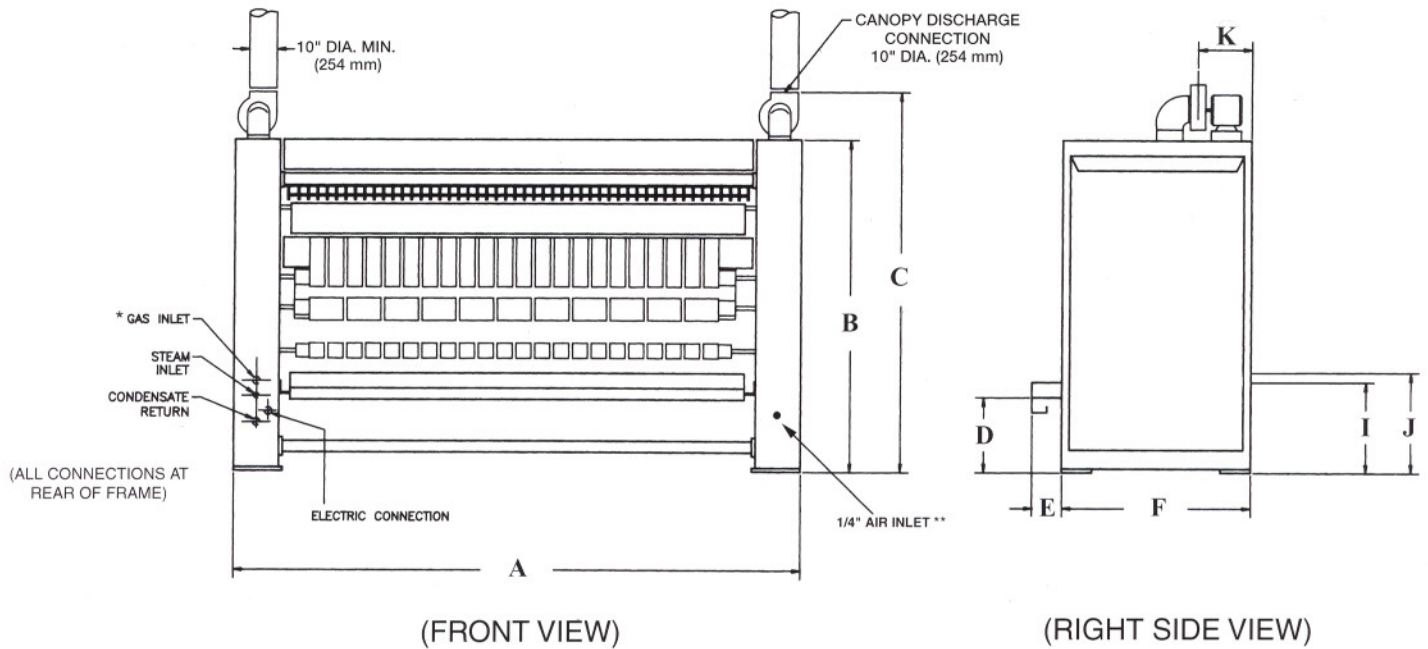
- Full width safety guard stops machine when pushed at any point across feeding area.
- Safety cables at front and rear of machine stop machine when pushed or pulled.
- Drive end panel equipped with disconnect switch that must be off before door can be opened.
- Access panels interlocked to stop machine when opened.
- Canopies interlocked to stop machine when raised.
- Manual operating device provided so machine can be rotated in the event of a power failure.
- Bi-lingual warning and instruction labels.
- High pressure gas switch.
- High limit temperature switch.
- Safety poster and installation-operation video.
- Intelatrol II Safety Monitoring System
- Installation, operation, maintenance, service, venting manuals and video.

TECHNICAL INFORMATION

MODEL	GR3000	GR3600	SR3000	SR3600
Finishing Surface Width Inches (mm)	120 (3050 mm)	120 (3050 mm)	120 (3050 mm)	120 (3050 mm)
Heated Roll Diameter Inches (mm)	30 (762 mm)	36 (914 mm)	30 (762 mm)	36 (914 mm)
Variable Speed Range Feet Per Minute (m/min)	20 – 100 (6.1 – 30.5)	25 – 120 (7.6 – 36.5)	20 – 100 (6.1 – 30.5)	25 – 120 (7.6 – 36.5)
Electrical Requirements Motor H.P. (kW)	3 + 2 x 1 2.24 + 2 x .746			
Maximum Gas Input B.T.U./hr. (CAL. Kg/h)	495000 (145)	625000 (183)	—	—
Steam Consumption B.H.P. (Kg/h)	—	—	6.6 (108)	8 (130)
Net Weight Pounds (Kg)	7650 (3478)	9535 (4334)	8350 (3795)	9770 (4441)
Crated Size L x W x H Inches (mm)	200 x 73.5 x 90 (5080 x 1867 x 2286)	206 x 82 x 97 (5232 x 2083 x 2464)	200 x 73.5 x 90 (5080 x 1867 x 2286)	206 x 82 x 97 (5232 x 2083 x 2464)
Crated Weight Pounds (Kg)	8150 (3697)	10135 (4607)	8850 (3697)	10370 (4714)
Crated Volume Cubic Feet (Cubic m)	766 (21.7)	947 (26.8)	766 (21.7)	947 (26.8)

All **CMV Sharper Finish** ironers are manufactured to meet or exceed American National Standard Institute safety requirements (ANSI) for commercial laundry and dry cleaning operations. Steam heated ironers are built according to ASME standards, and meet or exceed the safety and testing requirements set by ANSI as stated above.

DIMENSIONS



* It is recommended that you bring 1 1/4" gas piping to machine. ** Consult Factory (Rear table optional – not included).

	MODEL 3000	MODEL 3600
A	185" (4700 mm)	191" (4851 mm)
B	75" (1905 mm)	82¼" (2089 mm)
C	92" (2337 mm)	99" (2476 mm)
D	23" (584 mm)	25" (635 mm)
E	12" (305 mm)	12" (305 mm)
F	49 5/8" (1260 mm)	58¼" (1480 mm)
I	25" (635 mm)	21" (533)
J	30¼" (769 mm)	26" (660 mm)
K	13¼" (336 mm)	26½" (673 mm)



CMV Sharper Finish, Inc.

4500 Augusta Boulevard
 Chicago, Illinois 60651 U.S.A.
 Telephone: 773-276-4800
 Facsimile: 773-276-6878
 Email: sales@cmvsharperfinish.com
 www.ironerpeople.com

Distributed by:

TOLL FREE: 800-274-IRON (4766)
 (U.S.A. and Canada only)

Copyright 2007 by CMV Sharper Finish, Inc. Form No. 3036R2 Rev. 5/2007. In view of CMV's policy of providing you with the best products possible, we reserve the right to change specifications and appearance without notice. Contact the sales department for exact specifications, dimensions, and product approvals. We make over 100 different models that are sold throughout the world.