

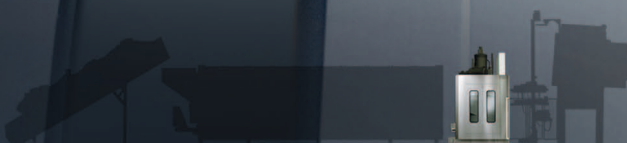
GIRBAU
SPR-50



GIRBAU
INDUSTRIAL™

SPR-50
WATER EXTRACTION PRESS

High-level extraction for maximum drying efficiency



WATER EXTRACTION PRESS

SPR-50

SUPERIOR WATER EXTRACTION FOR ALL LINEN TYPES

The SPR-50 works by pressing a saturated load of linen into a round laundry cake with a flat base. With high-capacity drainage facilities, water is extracted from the linen quickly and gently, which significantly shortens subsequent dry time, and simultaneously, improves laundry productivity. Water extracted from the press is redirected for reuse in the Batch Washer. Appropriate for pressing all linen types.

FLEXIBILITY & PROGRAMMABILITY

Designed with a highly efficient oil dynamic circuit, the SPR-50 offers multiple hydraulic pressures from one to 40 bar. Highly programmable, the press offers 16 programs and control over pressure variables including options for vapor barrier fabric. The SPR-50 single-stage press is available in three different positioning options at the batch washer outlet: in-line, turns to the right, or turns to the left.

BUILT TO LAST

Durably constructed, Girbau Industrial's SPR-50 Water Extraction Press is backed by a limited 2-year factory warranty. It features a self-guiding system; reception basket guided on a single column for precise self-centering; a water filled membrane that delivers excellent, even cushioning during pressing; a white membrane that is fully reinforced for long life and the rigors of constant use.

SIMPLE INSTALLATION & MAINTENANCE

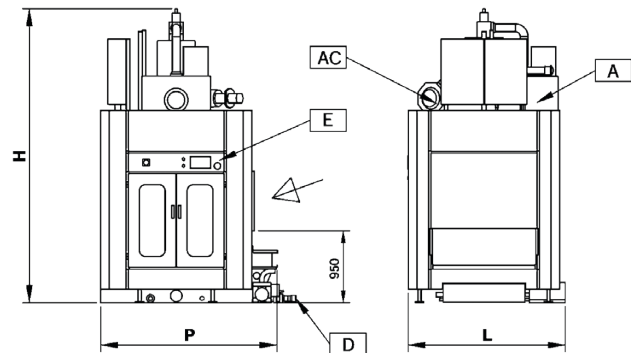
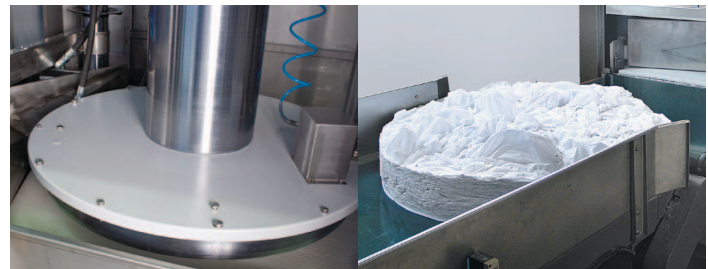
The SPR-50 water extraction press is delivered assembled and factory tested for problem-free installation. Most of the SPR-50 electrical components are the same as those used in the TBS-50 Batch Washer and ST-100 Batch Dryer—making easy and convenient servicing.



MACHINE OPTIONS

- Special software that allows for variable pressure build-up.
- Extended transport belt for special angle version

MODEL		TBS-50/5
Capacity (dryweight load)	lbs. (kg.)	110 (50)
Cake Diameter	in. (mm.)	39.4 (1000)
Net Weight	lbs. (kg.)	26455.5 (12000)
Crated Weight	lbs. (kg.)	26896.4 (12200)
Machine Dimensions (WxDxH)	in. (mm.)	72.1 x 81.3 x 134.6 (1831 x 2065 x 3418)
Pressure Range	bar	1-40
Maximum Pressure	bar (PSI)	40 (508)
Minimum Cycle Time	seconds	90 (at 27 bar)
Nominal Cycle Time	seconds	100 (at 40 bar)
Drain Diameter D	in. (mm.)	5.1 (130)
Water Cooling Connection A	in. (mm.)	1/2 (14)
Water Cooling Flow	cfm (m ³ /h)	1.75 (3)
Water Cooling Pressure	PSI (bar)	43.5-174 (3-12)
Compressed Air Connection	in.(mm.)	1/2 (14)
Compressed Air Flow	gal/min (l/min)	14.3 (52.8)
Electrical Power	H.P. (kW)	22.8 (17)
Available Voltages		220-480/50/3 220-480/60/3



GIRBAU
INDUSTRIAL™

www.girbauindustrial.com • 800-256-1073
2500 State Road 44 • Oshkosh, WI 54904 • 920-231-8222 • Fax 920-231-4666

* Product specifications are subject to change without notice. For the most current specifications please contact Girbau Industrial or visit www.girbauindustrial.com.